

**OK WORLDS 2017  
AMENDMENT #2  
SAILING INSTRUCTIONS**

Delete 6.1 and replace with:

- 6.1 The diagrams in SI Addendum B show the courses, the course designations, the order in which marks are to be passed, and the side on which each mark is to be left.
- a. When pennant Number 1 is displayed Course Number 1 is to be sailed.
  - b. When pennant Number 2 is displayed Course Number 2 is to be sailed.

Delete Addendum B and replace with the following diagrams:

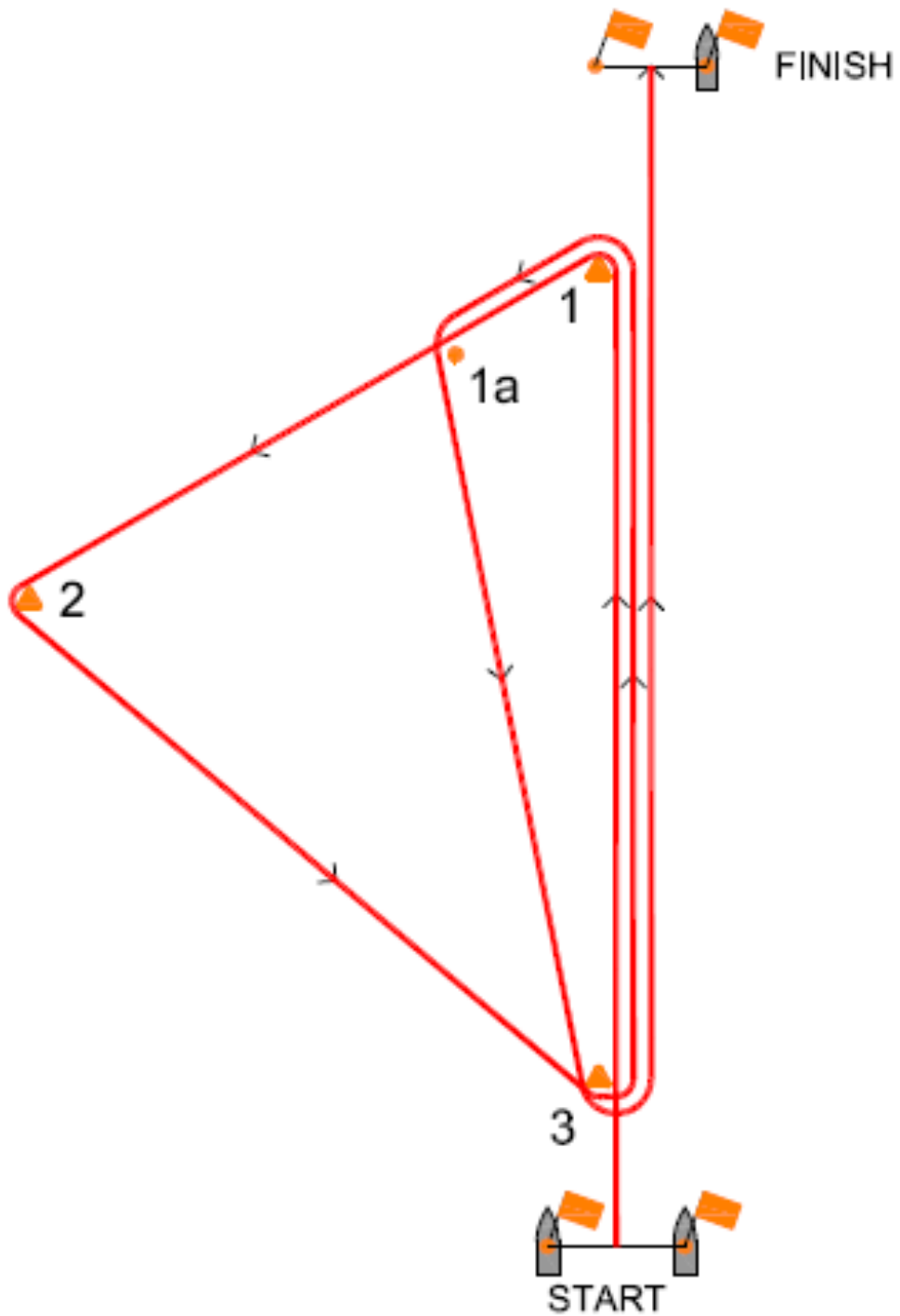
M Rogers PRO  
28 May 2017

# Course Number 1



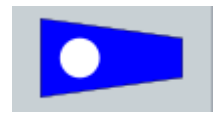
## Mark Rounding Order

START - 1P - 2P - 3P - 1P - 1aP - 3P - FINISH



**Course Number 2**

**Mark Rounding Order**



START - 1P - 2P - 3P - 1P - 1aP - 3P - FINISH

